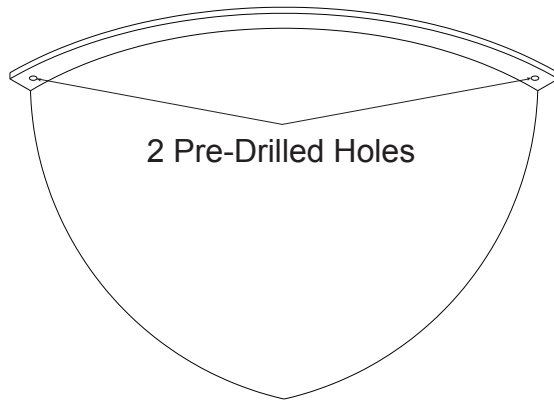
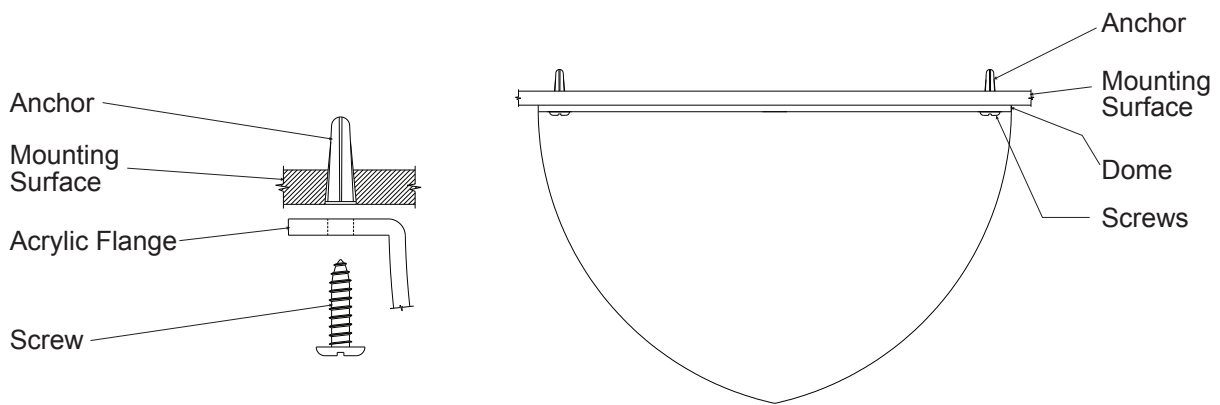


# Quarter Dome Mounting Instructions



90 Degree Domes may be mounted to the ceiling by screws driven into pre-placed wall anchors.



OR

They can also be mounted by pre-drilling holes in the mounting surface and inserting a toggle bolt assembly (not included) through the pre-drilled holes on the mounting surface, then drawing the dome up by screwing the toggle bolt in.

