

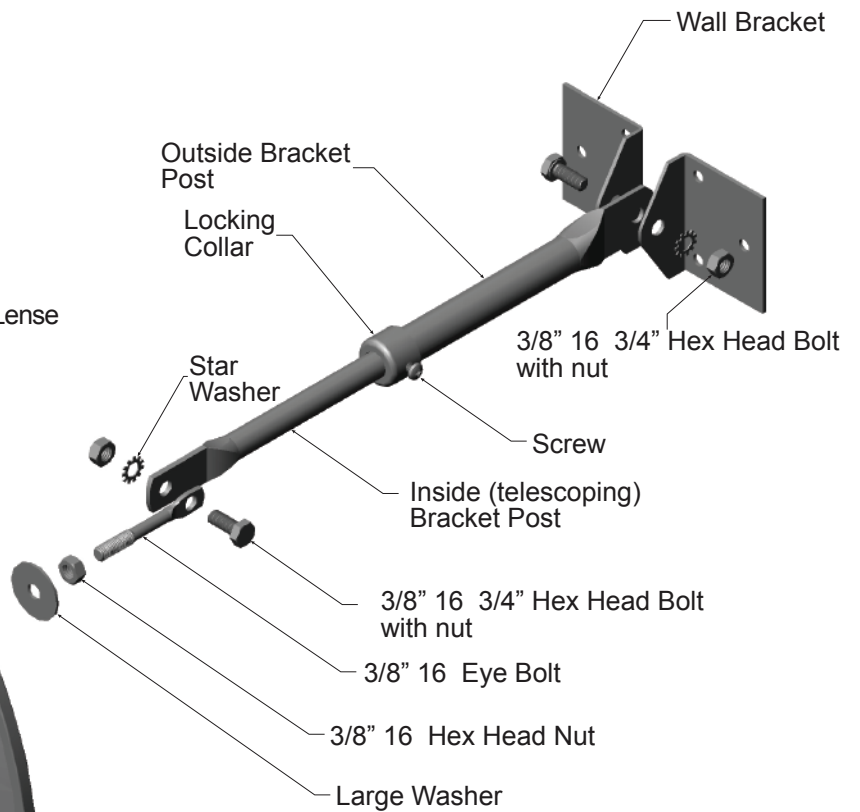
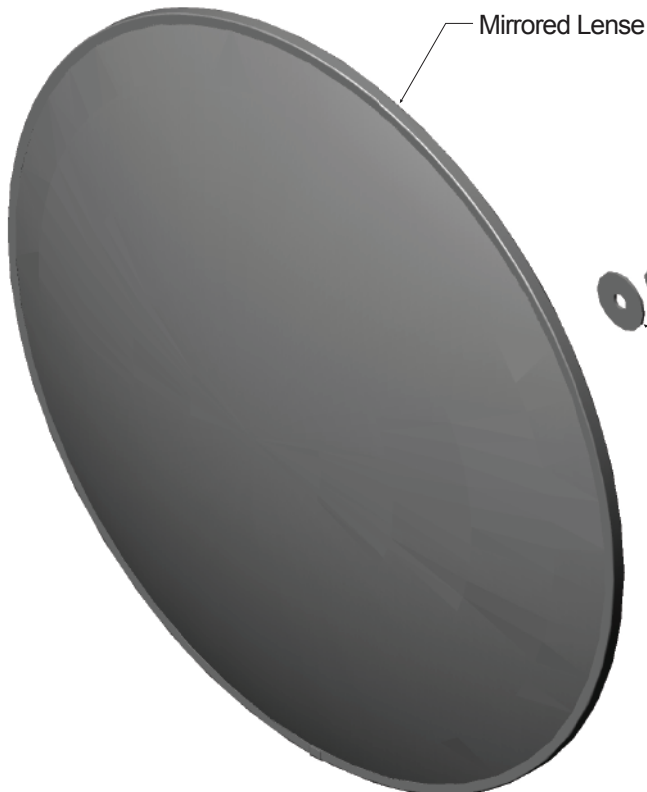
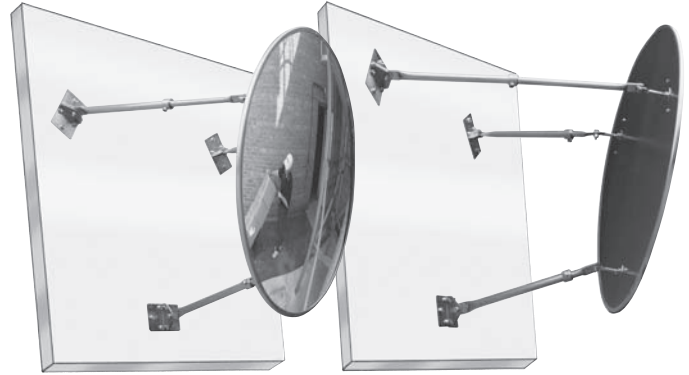
# OUTDOOR CONVEX MIRROR BRACKETS

## Installation Instructions

### Hardware Contents:

- |                |                 |
|----------------|-----------------|
| 6 Star Washers | 6 Nuts          |
| 6 Bolts        | 3 Screws        |
| 3 Eyebolts     | 3 Large Washers |

**Note:** 12" & 18" CVOs Only Use 2 Brackets  
26", 30", 36", & 48" Use 3 Brackets



After desired alignment, tighten all screws and nuts.  
**CAUTION:** Do Not Over Tighten